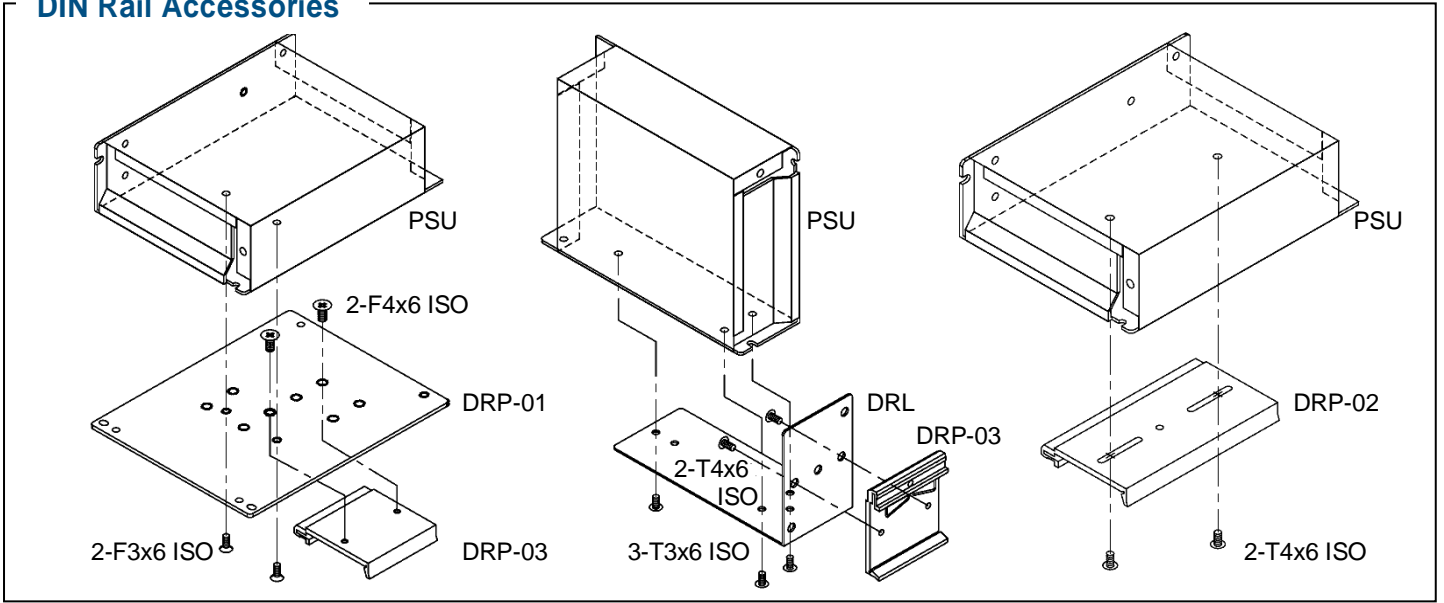
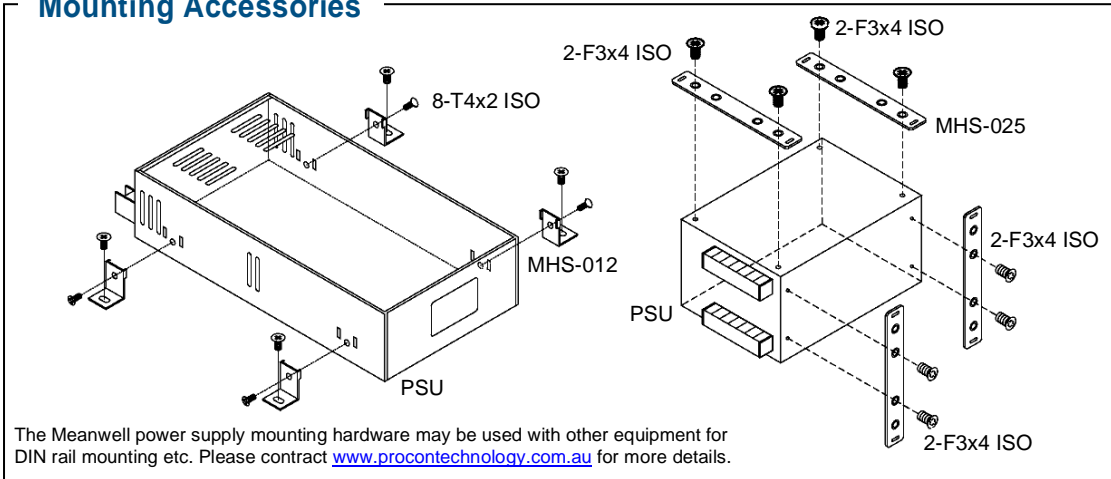


DIN Rail Accessories



Mounting Accessories



The Meanwell power supply mounting hardware may be used with other equipment for DIN rail mounting etc. Please contact www.procontechology.com.au for more details.

Protection Diode

Order No.

[DH12A40V](#)

Power Schottky Rectifier
12A/40V
(27x17x14mm)

Photo	Order No.	Case	Model
	DRL-01	903, 238 905, 240 931 932, 239 971	RS-75, HRP-75, LRS-100... RS-50, SD-25, LRS-75... RS-25, SD-15... RS-35, LRS-35, LRS-50... RS-15...
	DRL-02	901, 241 902 906 915 916 920, 220	RS-100, SD-50, LRS-150... RS-150, HRP/G-200, SD-100... SD-150, AD/ADD/ADS-155... SP-100... SP-150, SP-200... SP-75, RSP-75...
	DRL-03A	912 980 987	SP-320, SD-200/350/500... HRP/G-300 SP-240
	DRP-01	901, 902 903, 906 931, 932, 946 238, 239, 241	As above
	DRP-01A	203 205 978 999	RSD-200 RSD-300 RSD-150 RSD-100
80mm	DRP-02	215, 227 903, 905, 915 916, 920, 931 971, DRP-01	RSP-150, RSP-100 As above
45mm	DRP-03	DRP-01 DRP-01A DRL-01-03	As above
80mm	DRP-04	DRP-01A	As above

Photo	Order No.	Case	Model
	MHS012	206, 207, 215 912, 915 916, 935 939, 940 977, 980 982, 987 995, 226, 227	LRS-200/350, RSP-150/200/320, HDP-190/240, SD-200/350/500, SP-100/150/200/320 MP450/650/1K0 HRP/G-300/600, HRP/G-1000 RSP-2400/3000, CSP-3000, HRP/G-450, RSP-100/500
	MHS012D		
	MHS013	919	SP-750
	MHS014	212, 952 249, 250, 277	RSP-750/1000/2000, SD-1000 NMP650/1K2, BIC-2200
	MHS025	910 207	PSP-600, PSPA-1000... LRS-200/350, RSP-200/320
	MHS026	943, 223, 234	RSP-1500, RST-5000, RST-10000
	MHS027	971 931	RS-15 RS-25, SD-15
TBC - clear terminal block cover	TBC-05	901, 903 905 932 220 239, 240	SD-50, RS-75 SD-25, RS-50 RS-35 RSP-75 LRS-35, LRS-50, LRS-75
	TBC-07	901 902 903 905, 906 215, 227 238 241	RS-100, RD-85, RS-150, SD-100, RD-125, RID-125 RD-65, RD-50, SD-150 RSP-150, RSP-100 LRS-100 LRS-150, LRS-150F
	TBC-08	906	AD-155, ADD/ADS-155
	TBC-09	207	LRS-200/350, RSP-200/320