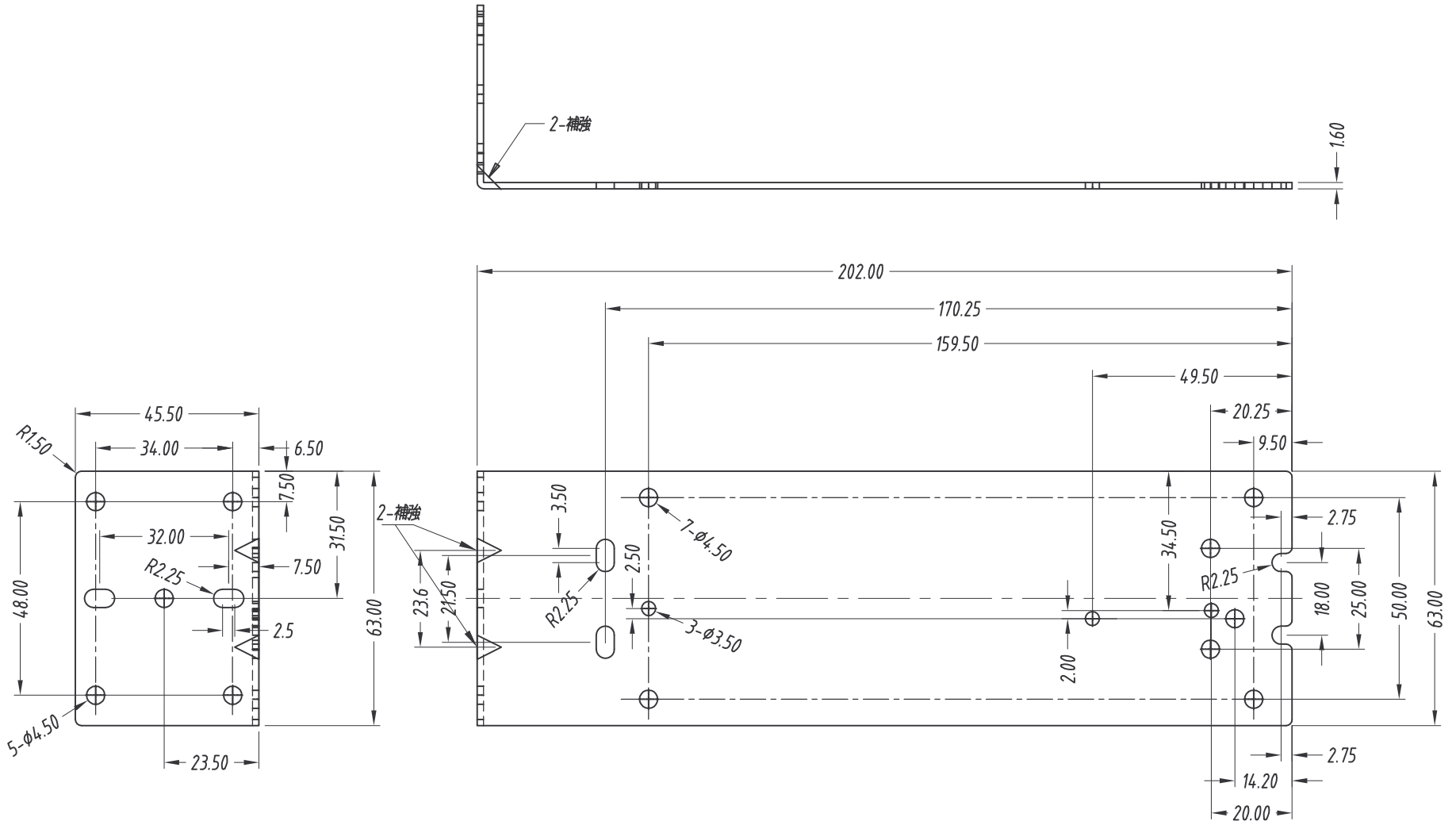


A | B | C | D | E | F | G | H

For more information on the full range of brackets, clips and plates see...  
[www.procontechtechnology.com.au/files/brackets.pdf](http://www.procontechtechnology.com.au/files/brackets.pdf)



|                                                                                       |                                      |                                                                                           |                          |
|---------------------------------------------------------------------------------------|--------------------------------------|-------------------------------------------------------------------------------------------|--------------------------|
|  | MATERIAL: SPCC<br>材質: 鍍鋅板            | DWG NAME: Mounting Accessories<br>圖號: 機構配件圖                                               | ORDER NO.: DRL-03A<br>品號 |
|                                                                                       | FINISH: Yellow Zinc Plate<br>處理: 鍍五彩 | THICKNESS: 1.6mm<br>厚度                                                                    | DATE: 2009-09-13<br>日期   |
|                                                                                       | UNIT: mm<br>單位                       | TOL.: Angle: ±1°<br>-6: ±0.1mm 30 to 120: ±0.3mm<br>公差 6 to 30: ±0.2mm 120 to 315: ±0.5mm | REV. R0<br>版本            |