

A

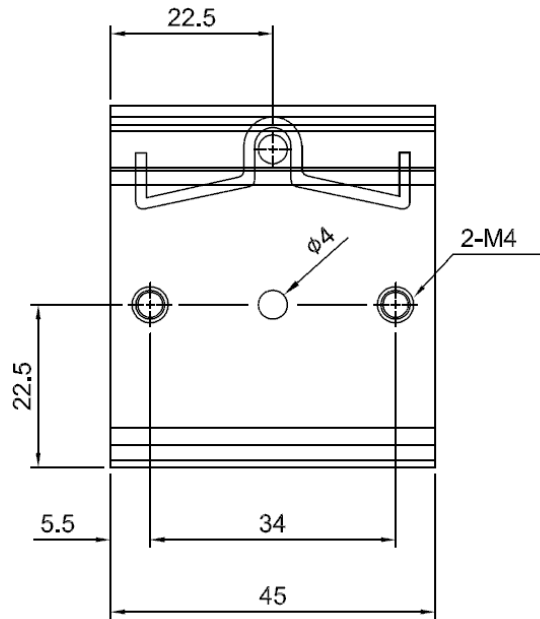
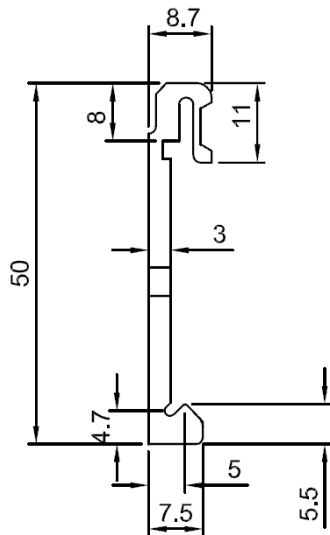
B

C

D

The Meanwell DIN rail clip DRP-03 can be used with any equipment simply by drilling two holes (for M4 bolts) 34mm apart. If necessary attach this clip to a plate and attach the plate to your equipment.

For more information on the full range of brackets, clips and plates see...
www.procontechtechnology.com.au/files/brackets.pdf



For use with Meanwell plates and L-brackets...
 DRP-01, DRP-01A, DRL-01, DRL-02, DRL-03A



MATERIAL: Al. 6065-T5

FINISH: Degreasing Cleaning Fluid

UNIT: mm

DWG NAME: Mounting Accessories
 Angle Bracket

THICKNESS:

TOL.: Angle: $\pm 1^\circ$
 $< 6: \pm 0.1\text{mm}$ 30 to 120: $\pm 0.3\text{mm}$
 6 to 30: $\pm 0.2\text{mm}$ 120 to 315: $\pm 0.5\text{mm}$

ORDER NO: DRP-03

DATE: 2005-10-17

REV. R2